

STAR® 660

EARLY STREAMER EMISSION (ESE) AIR TERMINAL



Reference STAR660

Technical specifications

Power Δt	60 - microsecond boot time (us)
Lightning shock	Wave 10/350 microseconds
Test 100 kA	NFC 17102
Streamer	<ul style="list-style-type: none"> • System technology with controlled priming technology® • High impulse voltage
Structure	<ul style="list-style-type: none"> • Electromagnetic cage, with electromechanical crimping • 6 stainless steel 316 differential fins

Operation

Ascending Tracer Detection	• Continuous measurement of ambient natural electric field
Power Management	<ul style="list-style-type: none"> • Totally autonomous • No external power supply
Maintenance	<ul style="list-style-type: none"> • Modular parts interchangeable in factory • Dimension - \varnothing 101 x 204 mm - M20 thread • Tightening torque
Test system (option)	<ul style="list-style-type: none"> • Star Evolution Tester • Specific remote control
Impact on the environment	• 100% recyclable

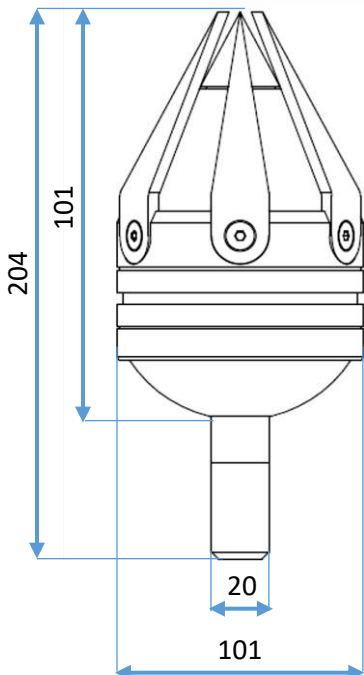
Guarantee ► 5 years manufacturer

Conditioning

Packaging	<ul style="list-style-type: none"> • Adapted to the size of the STAR • Dedicated custom cradles
Size of the box	<ul style="list-style-type: none"> • 205 x 103 x 103 mm • 100% recyclable
Net weight	1,5285 Kgs
Gross weight	1,719 Kgs (with specific box)

Certifications

Traceability / Control	<ul style="list-style-type: none"> • Laser marking or specific engraving • Indestructible self-labeling system • Authentication by serial number • Certified reference to the order
Conformity	<ul style="list-style-type: none"> • NFC17102/1995 • NFC17102/2009 • NFC17102/2011
Customs code	• 85 36 90 85



Lightning Rod - Air Terminal STAR660®

Early Streamer Emission (ESE).

STAR® range. Lightning Protection.



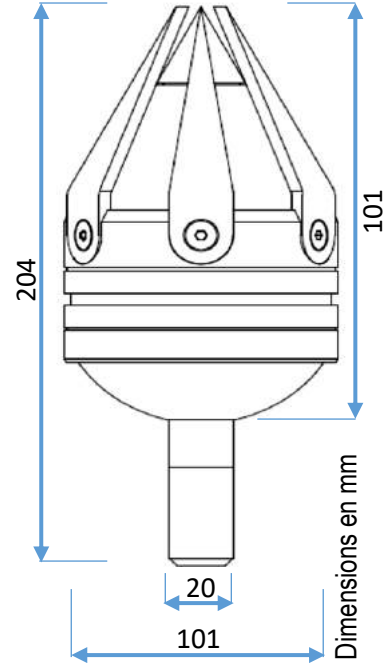
STAR® 660

Reference: STAR660

Description: **Lightning rod - Air Terminal
Early Streamer Emission**

Power: **($\Delta I = 60 \mu s$)**
▶ 6 stainless steel 316 differential fins

Net weight : 1.5285 kgs
Gross weight : 1.719 kgs (Package included)
Dimensions : 204x101 mm



STAR® 660 - PROTECTION RADIUS EFFICIENCY **+60 μs**

H meters	LEVEL 1	LEVEL 2	LEVEL 3	LEVEL 4
2	32	40	42	44
3	48	59	61	65
4	64	78	82	87
5	79	97	99	107
10	80	99	101	109
20	82	101	103	111

Protection distances in meters

