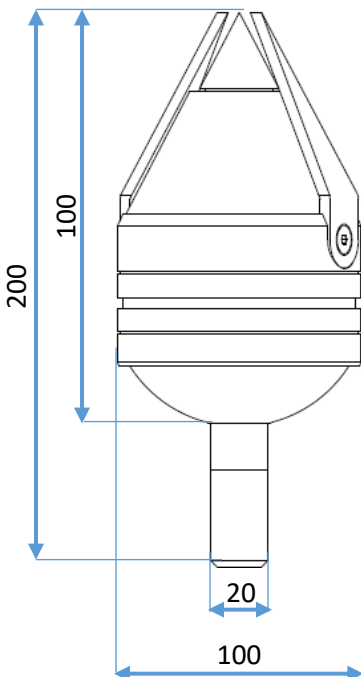


STAR® 210

EARLY STREAMER EMISSION (ESE) AIR TERMINAL

Reference	STAR210
Technical specifications	
Power Δt	10 - microsecond boot time (us)
Lightning shock	Wave 10/350 microseconds
Test 100 kA	NFC 17102
Streamer	<ul style="list-style-type: none"> System technology with controlled priming technology® High impulse voltage
Structure	<ul style="list-style-type: none"> Electromagnetic cage, with electromechanical crimping 2 stainless steel 316 differential fins
Operation	
Ascending Tracer Detection	<ul style="list-style-type: none"> Continuous measurement of ambient natural electric field
Power Management	<ul style="list-style-type: none"> Totally autonomous No external power supply
Maintenance	<ul style="list-style-type: none"> Modular parts interchangeable in factory Dimension - \varnothing 100 x 200 mm - M20 thread Tightening torque
Test system (option)	<ul style="list-style-type: none"> Star Evolution Tester Specific remote control
Impact on the environment	<ul style="list-style-type: none"> 100% recyclable
Guarantee	► 5 years manufacturer
Conditioning	
Packaging	<ul style="list-style-type: none"> Adapted to the size of the STAR Dedicated custom cradles
Size of the box	<ul style="list-style-type: none"> 205 x 103 x 103 mm 100% recyclable
Net weight	1,416 Kgs
Gross weight	1,607 Kgs (with specific box)
Certifications	
Traceability / Control	<ul style="list-style-type: none"> Laser marking or specific engraving Indestructible self-labeling system Authentication by serial number Certified reference to the order
Conformity	<ul style="list-style-type: none"> NFC17102/1995 NFC17102/2009 NFC17102/2011
Customs code	85 36 90 85



Lightning Rod - Air Terminal STAR210®

Early Streamer Emission (ESE).

- STAR® range. Lightning Protection.



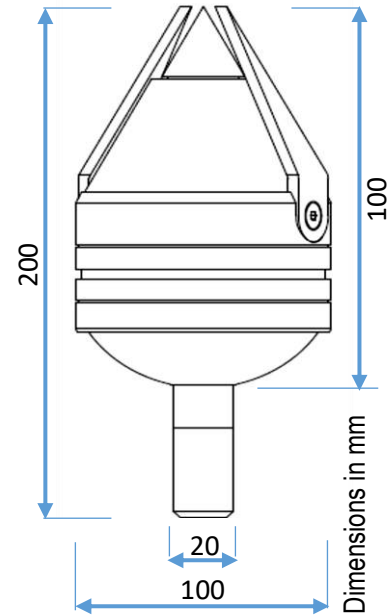
STAR® 210

Reference: STAR210

Description: **Lightning rod - Air Terminal
Early Streamer Emission**

Power: **($\Delta I = 10 \mu s$)**
▶ 2 stainless steel 316 differential fins

Net weight: 1.416 kgs
Gross weight: 1.607kgs (Package included)
Dimensions: 200x100 mm



STAR® 210 - PROTECTION RADIUS EFFICIENCY **+10 μs**

H meters	LEVEL 1	LEVEL 2	LEVEL 3	LEVEL 4
2	8	13	15	17
3	12	19	20	24
4	17	26	34	38
5	21	32	41	49
10	23	37	48	53
20	24	41	52	55

Protection distances in meters

