



STAR® 325 Evolution

EARLY STREAMER EMISSION (ESE)
AIR TERMINAL – TESTING REMOTE

Reference

STAR325 Evo

Technical specifications

Power Δt	25 - microseconds boot time (μs)
Lightning shock	Wave 10/350 microseconds
Test 100 kA	NFC 17102
Streamer	<ul style="list-style-type: none"> System technology with controlled priming technology® High impulse voltage
Structure	<ul style="list-style-type: none"> Electromagnetic cage, with electromechanical crimping 3 stainless steel 316 differential fins

Fonctionnement

Ascending Tracer Detection	<ul style="list-style-type: none"> Continuous measurement of ambient natural electric field
Power Management	<ul style="list-style-type: none"> Totally autonomous No external power supply
Maintenance	<ul style="list-style-type: none"> Modular parts interchangeable in factory Dimension - 242 x 151 mm - M20 thread Tightening torque

Test system	Star Evolution Tester
Satellit self test	Photovoltaic autonomy (no battery)
Specific remote control	Included (Reference S1205)
Fixing lug	Stainless steel
Lightning down connection	Included (Reference RAPC01)
Universal mounting bracket	Included (Reference MANR01)
Instructions for use	included

Impact on the environment	100% recyclable
---------------------------	-----------------

Guarantee	► 5 years manufacturer
-----------	------------------------

Conditioning

Packaging	<ul style="list-style-type: none"> Adapted to the size of the STAR Dedicated custom cradles
-----------	---

Size of the box	300 x 200 x 150 mm
-----------------	--------------------

Net weight	1,848 Kgs
------------	-----------

Gross weight	1,968 Kgs (with specific box)
--------------	-------------------------------

Certifications

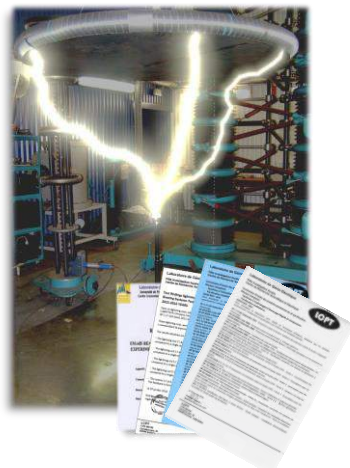
Traceability / Control	<ul style="list-style-type: none"> Laser marking or specific engraving Indestructible self-labeling system Authentication by serial number Certified reference to the order
------------------------	---

Conformity	<ul style="list-style-type: none"> NFC17102/1995 NFC17102/2009 NFC17102/2011
------------	---

Customs Code	85 36 90 85
--------------	-------------



Solar segment





Early Streamer Emission (ESE). Air Terminal STAR325®

Lightning Rod - STAR® Evolution - Testing remote.



STAR® 325 Evolution

► Testing Remote

Function test included.

Reference : STAR325 evo

Description: **Lightning rod - Air Terminal
Early Streamer Emission
Autonomous photovoltaic system.
Remote control tests.**

Power : **($\Delta I = 25 \mu s$)**

► 3 stainless steel 316 differential fins

Net weight: 1.848 kgs

Gross weight: 1.968 kgs (Package included)

Dimensions: 242x151 mm



Included in the STAR® 325 Evo pack.

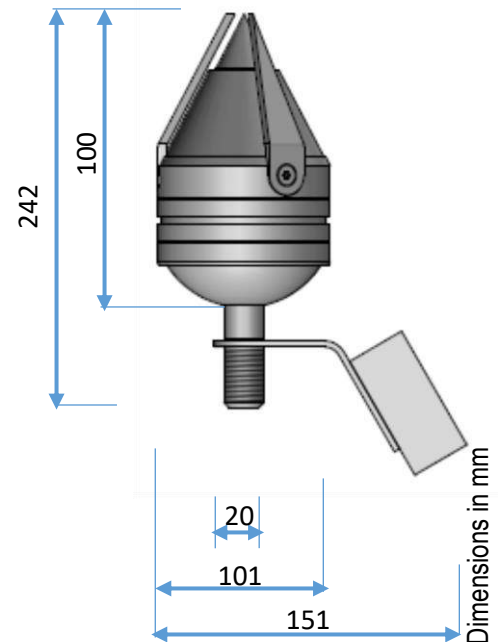
- ✓ STAR®325 Evolution Photovoltaic,
- ✓ Remote test remote control,
- ✓ Conductor fixing connection,
- ✓ Adaptation all supports,
- ✓ Technical assistance,
- ✓ Warranty 5 years manufacturer.

(Ref. STAR325 evo)

(Ref. S1205)

(Ref. RAPC02)

(Ref. MANR01)



www.llamptech.com – info@llamptech.com



Early Streamer Emission (ESE). Air Terminal STAR325®

Lightning Rod - STAR® Evolution - Testing remote.

STAR® 325 Evolution - PROTECTION RADIUS
EFFICIENCY +25µs

H meters	LEVEL 1	LEVEL 2	LEVEL 3	LEVEL 4
2	17	23	26	28
3	25	34	37	39
4	31	46	49	51
5	42	57	63	67
10	44	61	70	74
20	45	65	72	77

Protection distances in meters

► **Advantages of the STAR® Evolution ESEAT Testing remote :**

- ✓ Stand-alone Photovoltaic Power Supply,
- ✓ Remote control tests,
- ✓ Function tests,
- ✓ Product recognition,
- ✓ Electrical continuity test,
- ✓ Dating of the impacts of the lightning,
- ✓ List of lightning strikes,
- ✓ Respect of the environment,
- ✓ 5 years manufacturer's warranty.



THE + SAFETY

► The test system is used to interrogate the **STAR® Evolution lightning rod**, and to know its operating status without moving.

Manage the **"health"** and history of your STAR in real time.

This advanced technology is for the user, through a gain in security after information processing.

