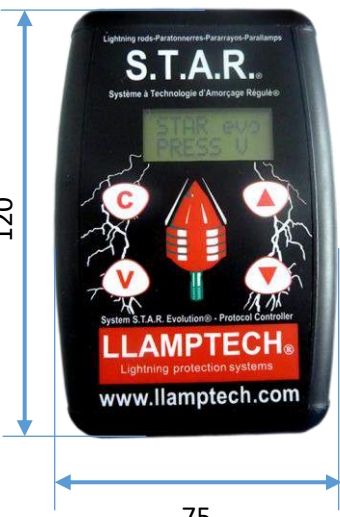
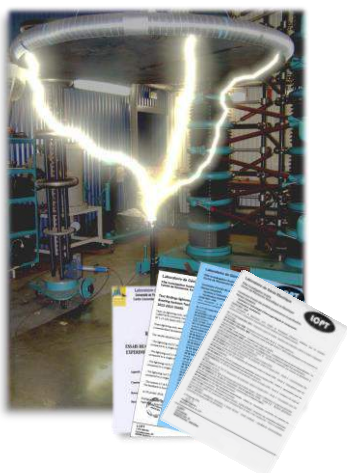


# STAR® 645 Evolution

EARLY STREAMER EMISSION (ESE)  
AIR TERMINAL – TESTING REMOTE



Solar segment



## Reference STAR645 Evo

### Technical specifications

Power $\Delta t$	45 - microseconds boot time ( $\mu s$ )
Lightning shock	Wave 10/350 microseconds
Test 100 kA	NFC 17102
Streamer	<ul style="list-style-type: none"> <li>System technology with controlled priming technology®</li> <li>High impulse voltage</li> </ul>
Structure	<ul style="list-style-type: none"> <li>Electromagnetic cage, with electromechanical crimping</li> <li>6 stainless steel 316 differential fins</li> </ul>

### Fonctionnement

Ascending Tracer Detection	<ul style="list-style-type: none"> <li>Continuous measurement of ambient natural electric field</li> </ul>
Power Management	<ul style="list-style-type: none"> <li>Totally autonomous</li> <li>No external power supply</li> </ul>
Maintenance	<ul style="list-style-type: none"> <li>Modular parts interchangeable in factory</li> <li>Dimension - 244 x 151 mm - M20 thread</li> <li>Tightening torque</li> </ul>

Test system	Star Evolution Tester
Satellit self test	Photovoltaic autonomy (no battery)
Specific remote control	Included (Reference S1205)
Fixing lug	Stainless steel
Lightning down connection	Included (Reference RAPC01)
Universal mounting bracket	Included (Reference MANR01)
Instructions for use	included

Impact on the environment	100% recyclable
---------------------------	-----------------

Guarantee	► 5 years manufacturer
-----------	------------------------

### Conditioning

Packaging	<ul style="list-style-type: none"> <li>Adapted to the size of the STAR</li> <li>Dedicated custom cradles</li> </ul>
-----------	---

Size of the box	300 x 200 x 150 mm
-----------------	--------------------

Net weight	1,925 Kgs
------------	-----------

Gross weight	2,045 Kgs (with specific box)
--------------	-------------------------------

### Certifications

Traceability / Control	<ul style="list-style-type: none"> <li>Laser marking or specific engraving</li> <li>Indestructible self-labeling system</li> <li>Authentication by serial number</li> <li>Certified reference to the order</li> </ul>
------------------------	---

Conformity	<ul style="list-style-type: none"> <li>NFC17102/1995</li> <li>NFC17102/2009</li> <li>NFC17102/2011</li> </ul>
------------	---

Customs Code	85 36 90 85
--------------	-------------



- Early Streamer Emission (ESE). Air Terminal STAR645®
- Lightning Rod - STAR® Evolution - Testing remote.



## STAR® 645 Evolution

### ► Testing Remote

**Function test included.**

Reference : STAR645 evo

Description: **Lightning rod - Air Terminal  
Early Streamer Emission  
Autonomous photovoltaic system.  
Remote control tests.**

Power : **( $\Delta I = 45 \mu s$ )**  
► 6 stainless steel 316 differential fins

Net weight: 1.925 kgs  
Gross weight: 2.045 kgs (Package included)  
Dimensions: 244x151 mm



Included in the STAR® 645 Evo pack.

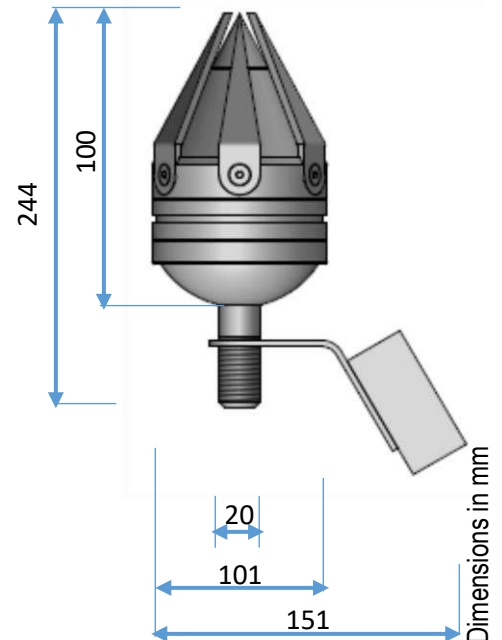
- ✓ STAR®645 Evolution Photovoltaic,
- ✓ Remote test remote control,
- ✓ Conductor fixing connection,
- ✓ Adaptation all supports,
- ✓ Technical assistance,
- ✓ Warranty 5 years manufacturer.

(Ref. STAR645 evo)

(Ref. S1205)

(Ref. RAPC02)

(Ref. MANR01)





Early Streamer Emission (ESE). Air Terminal STAR645®

Lightning Rod - STAR® Evolution - Testing remote.

**STAR® 645 Evolution - PROTECTION RADIUS**  
**EFFICIENCY +45µs**

H meters	LEVEL 1	LEVEL 2	LEVEL 3	LEVEL 4
2	25	32	34	36
3	38	48	51	55
4	51	65	70	73
<b>5</b>	<b>62</b>	<b>80</b>	<b>83</b>	<b>89</b>
10	64	83	91	94
20	65	86	97	99

Protection distances in meters

► Advantages of the STAR® Evolution ESEAT Testing remote :

- ✓ Stand-alone Photovoltaic Power Supply,
- ✓ Remote control tests,
- ✓ Function tests,
- ✓ Product recognition,
- ✓ Electrical continuity test,
- ✓ Dating of the impacts of the lightning,
- ✓ List of lightning strikes,
- ✓ Respect of the environment,
- ✓ 5 years manufacturer's warranty.



**THE + SAFETY**

► The test system is used to interrogate the STAR® Evolution lightning rod, and to know its operating status without moving.

Manage the "health" and history of your STAR in real time.

This advanced technology is for the user, through a gain in security after information processing.

